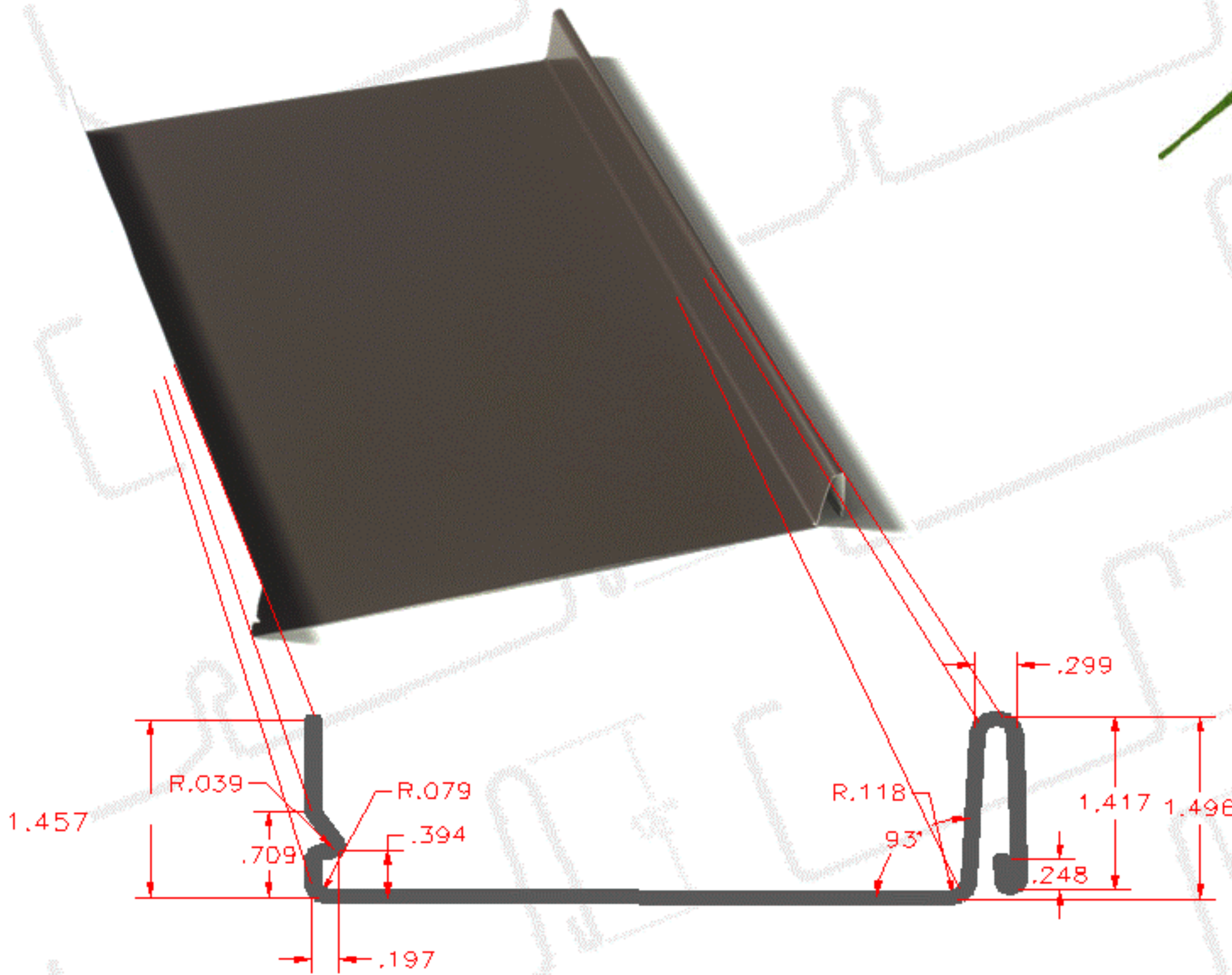


1 1/2" SNAP-LOCK PANEL



Hilliard, Ohio
 PH: 614-876-4280 / FX: 614-771-7625
 www.metalformedgoods.com



Advantages

- ◆ Nominal 1 1/2" seam height with hidden fasteners
- ◆ Interlocking design reduces installation time
- ◆ Available widths from 11.5" to 19.5"
- ◆ 1 piece floating clip allows for thermal expansion
- ◆ Integral locking seams do not require mechanical seaming
- ◆ 30 Year Finish Warranty
- ◆ 24 gauge Kynar steel standard

Materials:

24 gauge galvanized / galvalume steel (Standard)
 22 & 26 gauge galvanized / galvalume steel
 .032 Aluminum (Kynar or Anodized)
 16 & 20 ounce copper

Performance:

ASTM 1592 Wind Uplift
 ASTM 283 Air Infiltration
 ASTM 331 Water Penetration
 ASTM 330 Structural Performance

Load Span Table for 1 1/2" Snap Lock Panel
 16" Width

Material	24 Gauge		
SPAN	THREE EQUAL SPANS		
(FT)	W (PSF)	RE	RI
2	27.59	22.1	60.7
2.5	25.64	25.6	70.5
3	24.3	29.2	80.2
3.5	23.38	32.7	90
4	22.68	36.3	99.8

W = Allowable Uniform Load

RE = End Support Reaction (#/ft)

RI = Intermediate Support Reaction (#/ft)

